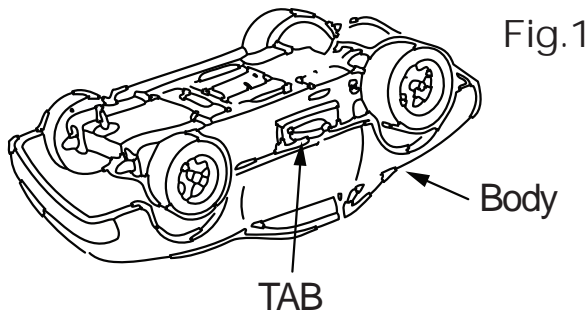


Go To AFXRACING.COM For Video Maintenance and Hop Up Tips

REMOVING AND REPLACING BODY

- REMOVE: Hold rear wheels. Pull out one side of body to clear the TAB (Fig. 1), then remove body.
- REPLACE: Position one side TAB into the body and snap other side on



REPLACING PICK-UP SHOES & SPRINGS

- Pull old SHOES forward then up and remove (Fig. 2).
- Replace SPRINGS (Fig. 3).
- Install new SHOES.

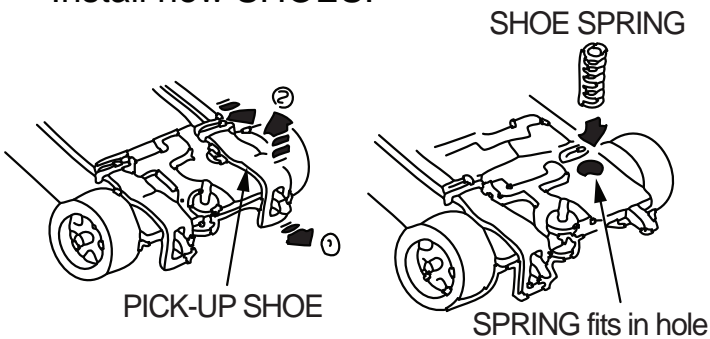


Fig. 2

Fig. 3

REPLACING REAR AXLE, TIRES & PINION GEAR

- Snap out old REAR AXLE ASSY. (Fig. 4).
- Remove PINION GEAR with small screwdriver (Fig. 5).
- Push new PINION GEAR into place.
- Snap new REAR AXLE ASSY. into place and slide new TIRES onto WHEELS (Fig. 4)

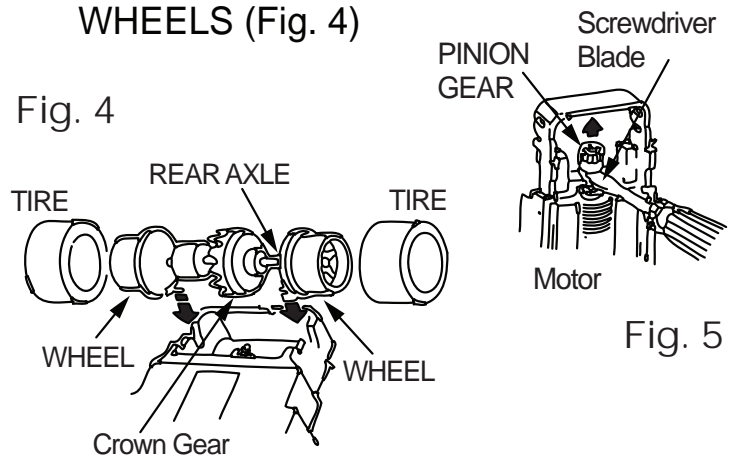
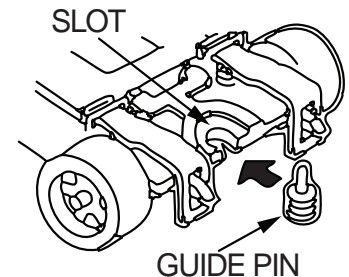


Fig. 4

Fig. 5

REPLACING GUIDE PIN

- Push old GUIDE PIN out of SLOT, replace with new GUIDE PIN (Fig. 6)



MOTOR CLIP

- Included is a motor clip for advanced repairs. See website for detail.